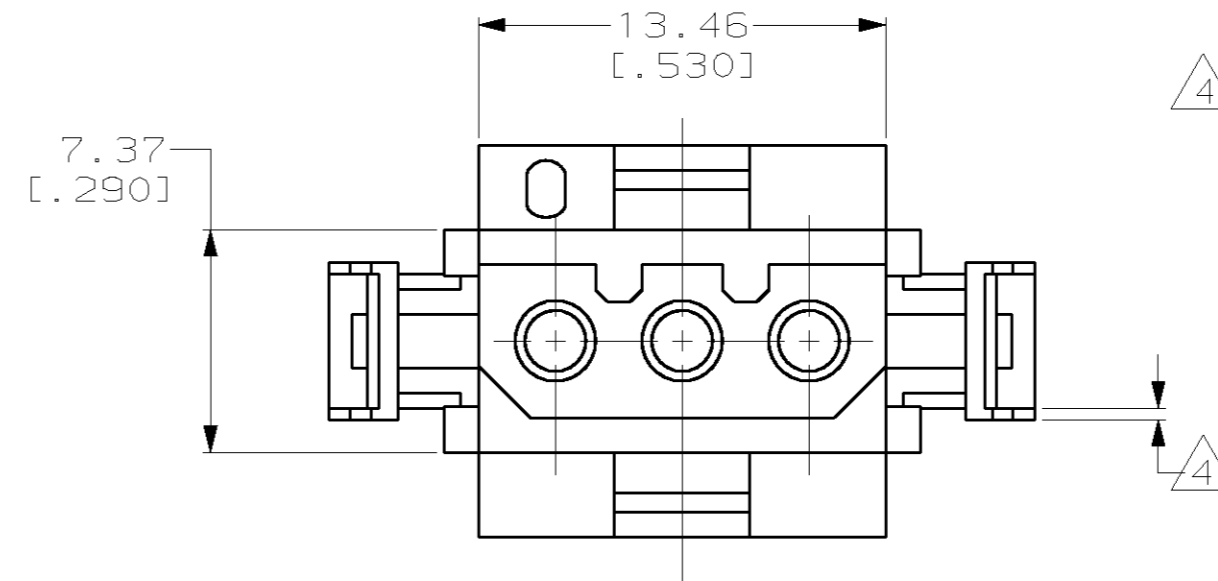
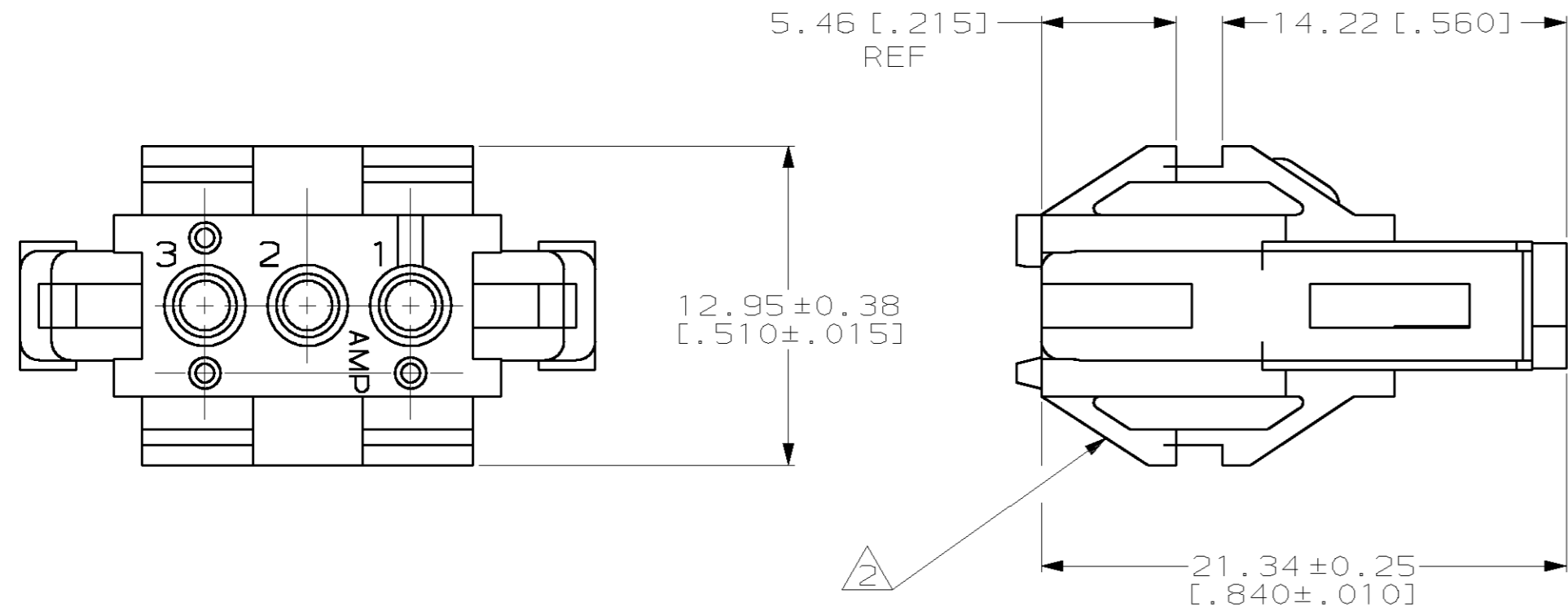
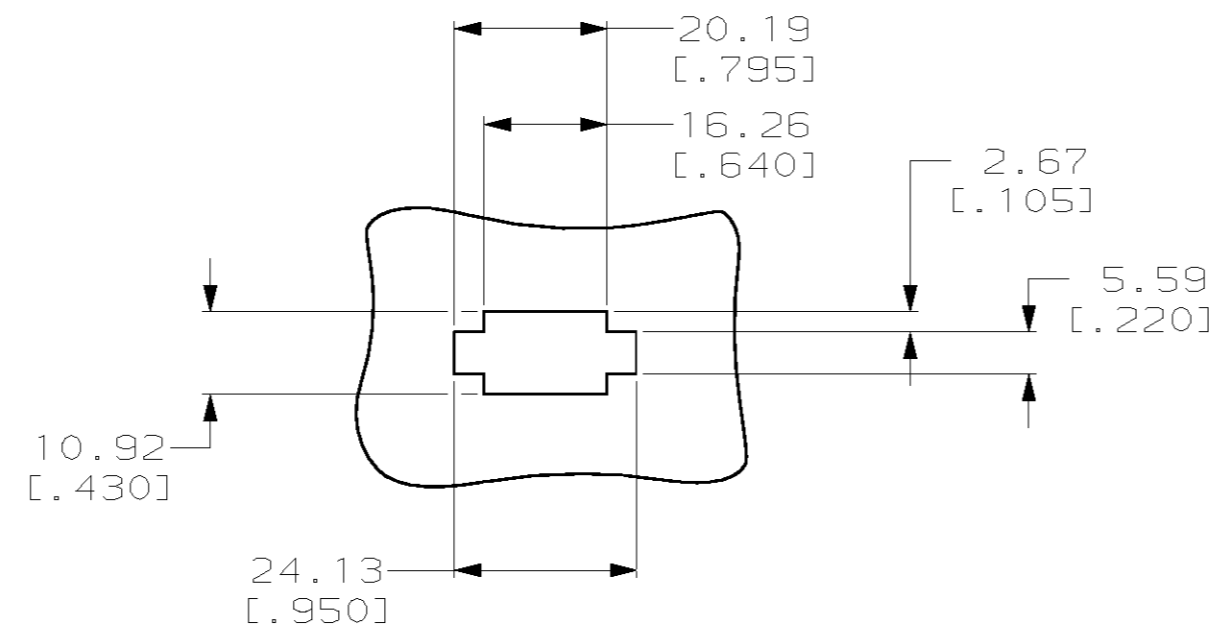
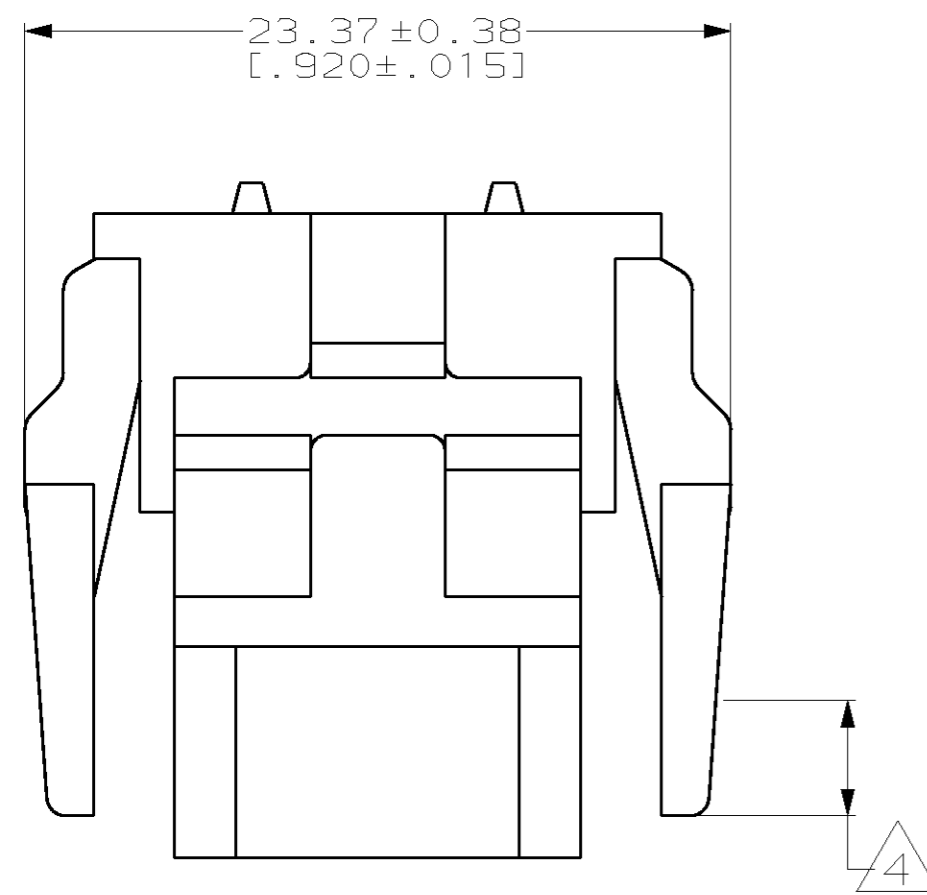


THIS DRAWING IS UNPUBLISHED. RELEASED FOR PUBLICATION .19
 © COPYRIGHT 19 BY AMP INCORPORATED. ALL RIGHTS RESERVED.

LOC		DIST		REVISIONS			
P	LTR	DESCRIPTION	DATE	DWN	APVD		
CM	52	F		REVISED PER EC 063B-0104-99	05-OCT-99	KW	KC



- MATES WITH HOUSING 640508.
- UL LOGO AND CSA LOGO TO APPEAR ON EITHER LATCH SURFACE PER AMP SPEC 202-20, I.D. NO. 1-18838-3 AND 1-18839-3. FROST BACKGROUND OPTIONAL.
- DIMENSIONS IN BRACKETS ARE IN INCHES.
- NON-FILL PERMITTED UP TO 3.8[.15] FROM EDGE OF LATCH ARM ON THE 0.38[.015] THICK FLANGE, 4 PLC.



RECOMMENDED CUT OUT
 FOR 1.73[.068] MAX THICK PANEL
 SCALE 1:1

1-640518-0
 PART NUMBER

METRIC

THIS DRAWING IS A CONTROLLED DOCUMENT.		DWN R. VESTAL 12-01-97	AMP Incorporated Harrisburg, PA 17105-3608
DIMENSIONS: mm [INCHES]		CHK R. SWING 12-01-97	
TOLERANCES UNLESS OTHERWISE SPECIFIED:		APVD A. BEDDICK 12-01-97	
0 PLC ±- 1 PLC ±- 2 PLC ±0.13[.005] 3 PLC ±- 4 PLC ±- ANGLES ±0°30'		NAME HOUSING, PLUG MRII 3 POSITION	
MATERIAL NYLON, UL 94V-0, NATURAL (BRICK RED)		FINISH -	SIZE A2
		PRODUCT SPEC -	CAGE CODE 00779
		APPLICATION SPEC -	DRAWING NO C-640518
		WEIGHT -	SCALE 4:1
		CUSTOMER DRAWING	SHEET 1 OF 1
			REV F

640518

B

A